

Installation Instructions

DAR 1120, DAR 1130

en - CA

DAR 1150, DAR 1220

DAR 1230, DAR 1250

Installation, repair and maintenance work should be performed by a Miele authorized service technician in accordance with national and local safety regulations and the provided installation instructions.

Caring for the environment

Disposal of packing material

The cardboard box and packing materials protect the appliance during shipping. They have been designed to be biodegradable and recyclable. Please recycle.



DANGER

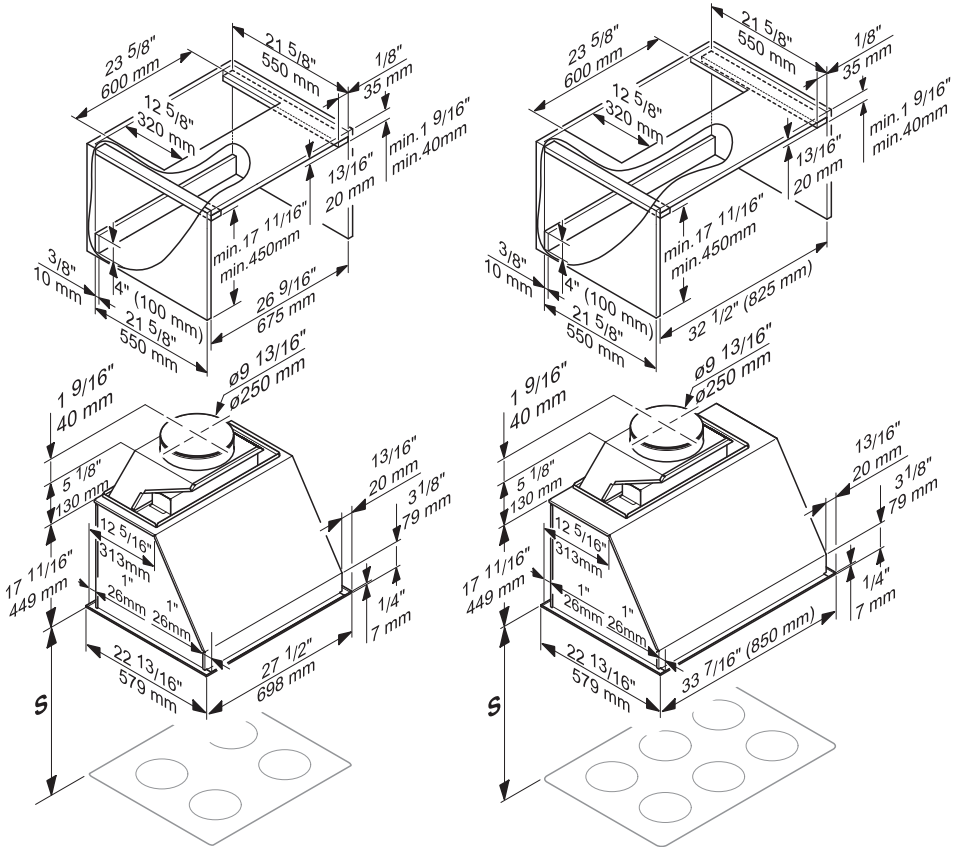
Ensure that any plastic wrappings, bags, etc., are disposed of safely and kept out of the reach of babies and young children. Danger of suffocation!

Disposal of an old appliance

Old appliances may contain materials that can be recycled. Please contact your local recycling center about the possibility of recycling these materials.

Before discarding an old appliance, disconnect it from the electrical supply and cut off the power cord to prevent it from becoming a hazard.

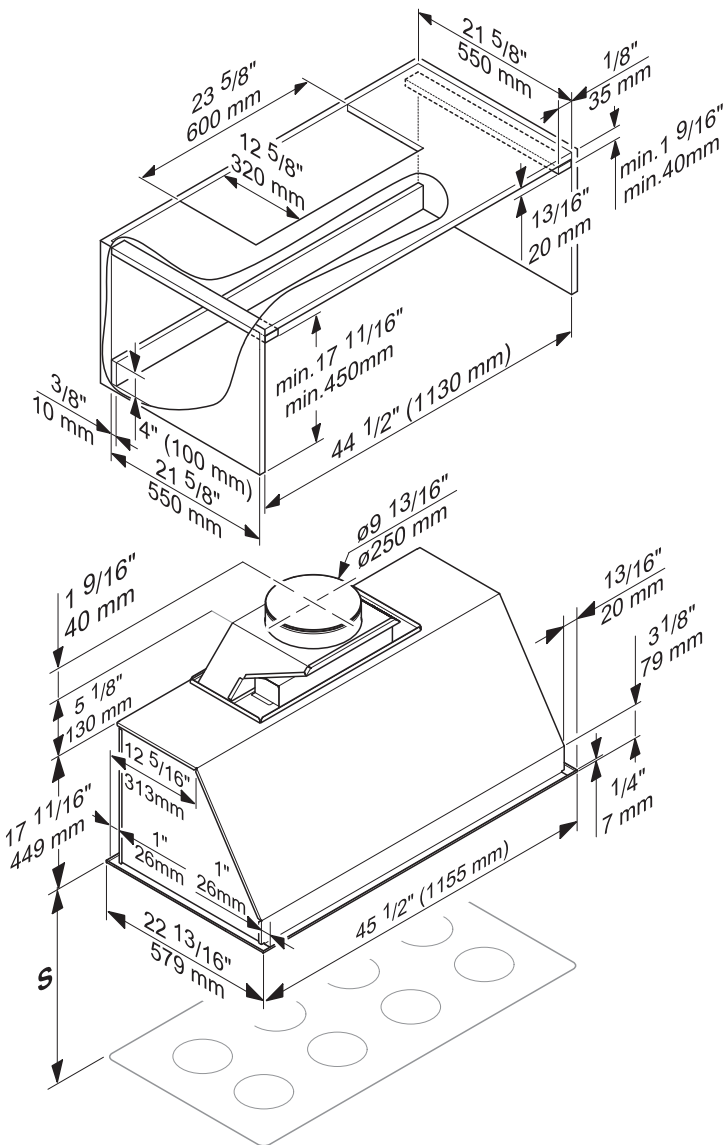
Appliance dimensions



Miele
DAR 1120

Miele
DAR 1130

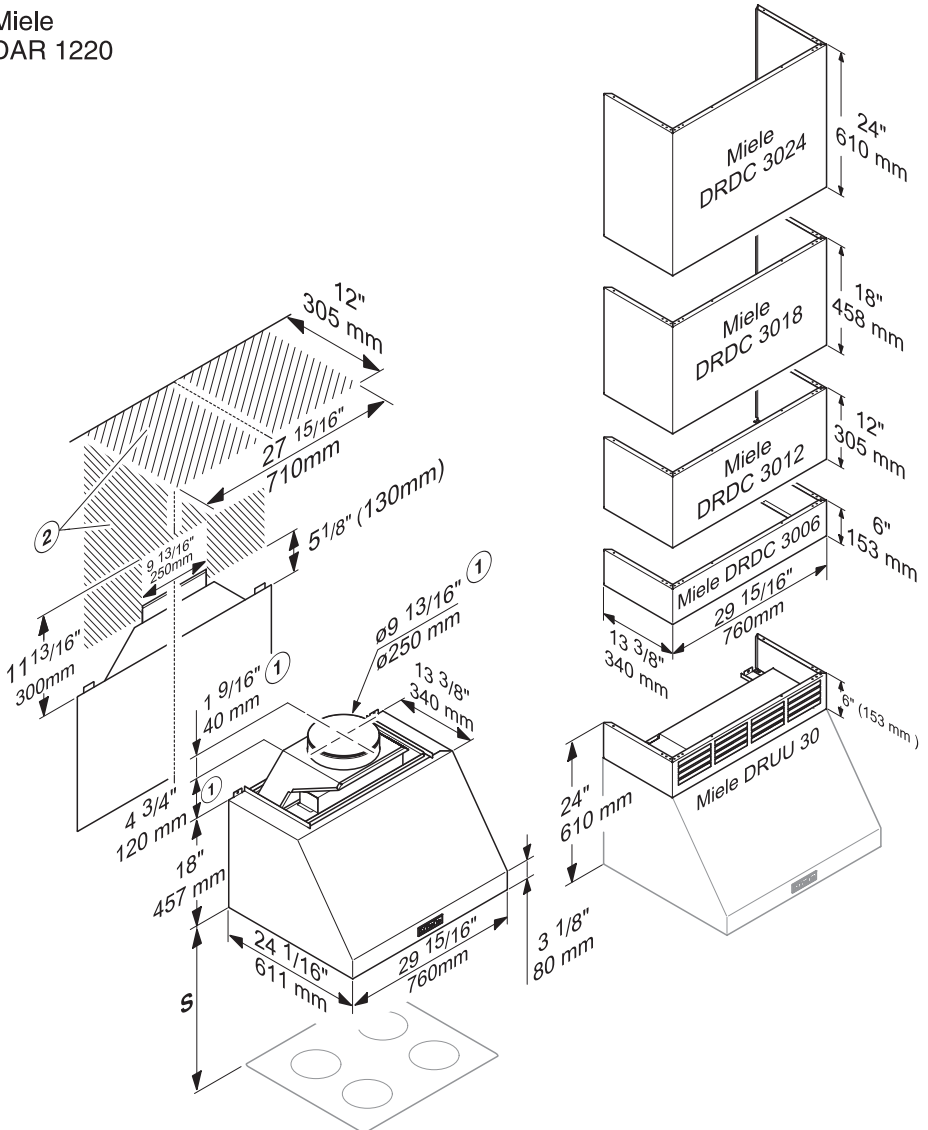
Appliance dimensions



Miele
DAR 1150

Appliance dimensions

Miele
DAR 1220



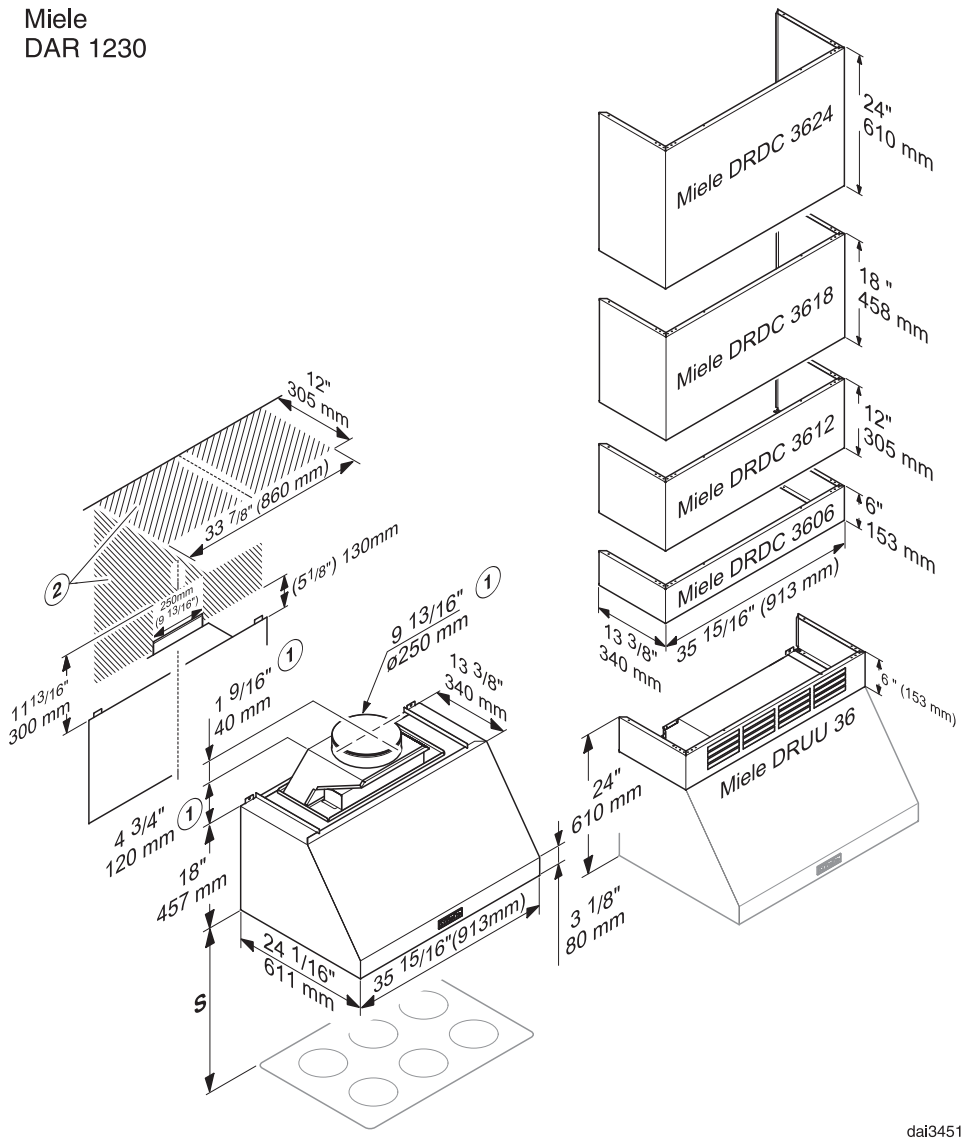
dai3450

① The hood with exhaust collar is only used in air venting mode with an internal or external blower.

② Installation area; Wall/ceiling area respectively for vent hole and outlet installation. For recirculation mode only the outlet installation is required.

Appliance dimensions

Miele
DAR 1230



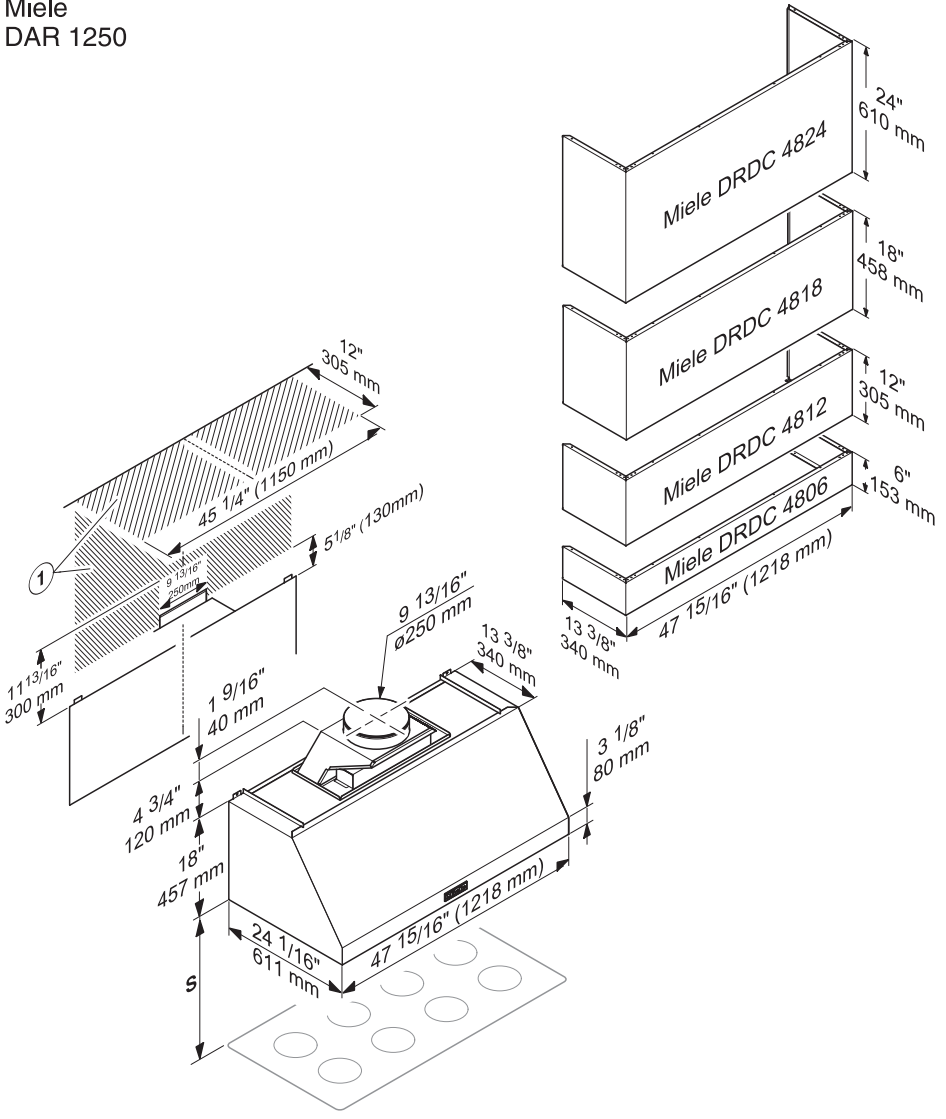
dai3451

① The hood with exhaust collar is only used in air venting mode with an internal or external blower.

② Installation area; Wall/ceiling area respectively for vent hole and outlet installation. For recirculation mode only the outlet installation is required.

Appliance dimensions

Miele
DAR 1250



dai3452

① Installation area; Wall/ceiling area respectively for vent hole and outlet installation.

Appliance dimensions

Distance between cooktop and hood (S)

Do not install this exhaust hood over cooktops burning solid fuel.

Observe the cooktop manufacturer's instructions when determining the distance between cooktop and lower edge of the hood.
Unless the instructions require a greater distance, the adjacent minimum safety distances apply for Miele cooktops.

- If several gas surfaces are installed under the hood, the total output must be considered when determining the minimum safety distance.
- Be sure to follow the minimum safety distances given by the gas cooktop manufacturer to easily flammable materials e.g. upper cabinets.
- If local building codes require a greater safety distance, follow their requirement.
- If there is more than one appliance beneath the hood and they have different minimum safety distances always select the greater distance.

See "Important Safety Instructions" for further information.

- To ensure free access to work under the ventilation hood, a distance of a minimum of 26" (660 mm) above the electric cooktop is also recommended.
- Take the user's body height into consideration when selecting the installation height. Adequate work space at the cooktop and optimal operation of the ventilation system should be ensured.
- However, the greater the distance from the cooktop, the less effectively cooking odors are drawn in.

Appliance dimensions

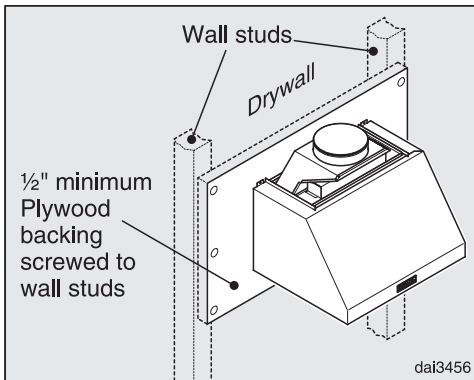
	Distance between cooktop and hood (S)			
Miele Range Wall / Insert Hood	DAR 1120, DAR 1220 (30")	DAR 1130, DAR 1230 (36")		DAR 1150, DAR 1250 (48")
Internal / External blowers	DRIB/DREB XL (700 cfm)	DRIB/DREB XL (700 cfm)	DRIB/DREB XXL (1100 cfm)	DRIB/DREB XXL (1100 cfm)
Miele Electric Cooktops	24" (610 mm)			
Miele Electric Barbeques and Fryers	26" (660 mm)			
Miele Multiburner Gas cooktops ≤ 43,000 BTU/hr (12.6 kW) and no burner >19,800 BTU/hr (5.8 kW)	26" (660 mm)			
Miele Multiburner Gas cooktops > 43,000 BTU/hr (12.6 kW) ≤ 92,200 BTU/hr (27 kW) and no burner >19,800 BTU/hr (5.8 kW)	30" (760 mm)			
Miele Multiburner Gas cooktops > 92,200 BTU/hr (27 kW) ≤ 112,600 BTU/hr (33 kW) and no burner >19,800 BTU/hr (5.8 kW)	not possible	36" (910 mm)	30" (760 mm)	
Miele Multiburner Gas cooktops > 112,600 BTU/hr (33 kW) ≤ 142,600 BTU/hr (41.8 kW) and no burner >19,800 BTU/hr (5.8 kW)	not possible		36" (910 mm)	
Miele Multiburner Gas cooktops > 142,600 BTU/hr (41.8 kW)	not possible			
Miele Multiburner Gas cooktops one of the burners >19,800 BTU/hr (5.8 kW)	not possible			
Miele Single burner (Wok) ≤ 20,500 BTU/hr (6 kW)	26" (660 mm)			
Miele Single burner (Wok) > 20,500 BTU/hr (6 kW) ≤ 27,600 BTU/hr (8.1 kW)	30" (760 mm)			
Miele Single burner (Wok) > 27,600 BTU/hr (8.1 kW)	not possible			

Plywood backing

The majority of the weight of the installed ventilation system will be supported by the retaining plate. It must be firmly attached to the stud framing **behind** the drywall. If studs are not available in the required locations, a plywood backing (min. ½" (13 mm) thick) spanning at least two studs **must** be installed. Failure to adequately support the weight as stated may result in the ventilation system falling off the wall, causing personal injury and property damage.

(If plywood backing is not needed, proceed to the included "Installation diagram".)

To install a plywood backing



- Determine and mark the location for the canopy as outlined in "Appliance dimensions".
- Make a cutting line 3" (76 mm) above and 3" (76 mm) below the outline of the retaining plate.

- Find the studs to the left and right of the mounting location by tapping the wall or using a stud finder.
- Mark a vertical cutting line along the center of each stud.

CAUTION

When cutting or drilling into the wall or ceiling, do not damage electrical wiring and other hidden utilities.

- Remove the drywall between the cutting lines and replace it with plywood of a matching thickness (min. ½" (13 mm) thick). Tape the joints and refinish the wall.
- Proceed to the enclosed "Installation diagram" to complete the installation.

Before installation read the information in the "Dimensions" and "Important Safety Instruction" chapters.

Under certain conditions, there is a danger of poisonous fumes by when the ventilation system and a furnace drawing interior air run at the same time.

Installation instructions

The individual installation steps are described in the included Installation diagram.

Protective film

(stainless steel units)

The casing is covered with a protective film to prevent scratching during transport.

Please peel off the film before installing the casing parts. It can be removed without tools.

Air venting

WARNING

Danger of toxic fumes.

Gas cooking appliances release carbon monoxide that can be harmful or fatal if inhaled.

To reduce the risk of fire and to properly exhaust air, the exhaust gases extracted by the hood should be vented outside of the building only.

Do not vent exhaust air into spaces within walls or ceilings or in attics, crawl spaces or garages.

To reduce the risk of fire, only use metal ductwork.

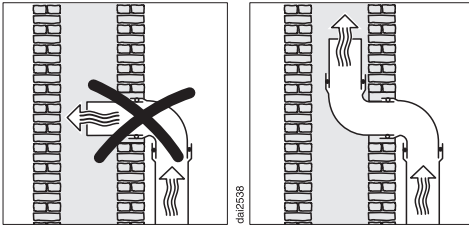
Please read and follow the **"IMPORTANT SAFETY INSTRUCTIONS"** to reduce the risk of personal injury. Follow all local building codes when installing the hood.

Exhaust ducting and connections

Use smooth or flexible pipework made from approved non-flammable materials for exhaust ducting.

To achieve the most efficient air extraction and quietest noise levels, consider the following:

- The diameter of the ductwork should not be less than 8" (203 mm) with DRIB/DREB XL and 10" (254 mm) with DRIB/DREB XXL.
- If flat ducting is used, the cross section must not be smaller than the cross section of the ventilation exhaust.
- The ducting should be as short and straight as possible.
- Use ductwork with a wide radius.
- The exhaust duct must not be bent or compressed.
- Make sure all connections are secure.
- Where the ductwork is horizontal, it must slope away from the hood at least $\frac{1}{8}$ " per foot (1 cm per meter) to prevent condensation dripping into the appliance.



- If the exhaust is ducted into an inactive flue, the air must be expelled parallel to the flow direction of the flue.

Never connect an exhaust hood to an active chimney, dryer vent, flue, or room venting ductwork. Seek professional advice before connecting an exhaust hood vent to an existing, inactive chimney or vent flue.

Important

If the ductwork runs through rooms, ceilings, garages, etc. where temperature variations exist, it may need to be insulated to reduce condensation.

Electrical connection

⚠ WARNING
TO REDUCE THE RISK OF
FIRE, ELECTRIC SHOCK, OR
INJURY TO PERSONS,
OBSERVE THE FOLLOWING:

All electrical work should be performed by a qualified electrician in strict accordance with national regulations (for USA: ANSI-NFPA 70) and local safety regulations. Installation, repairs and other work by unqualified persons could be dangerous. Ensure that power to the appliance is OFF while installation or repair work is performed.

- Verify that the voltage, load and circuit rating information found on the data plate (located behind the baffle filters), match the household electrical supply before installing the hood.
- Use only with ventilation hood cord-connection kits that have been investigated and found acceptable for use with this model hood.

If there is any question concerning the electrical connection of this appliance to your power supply, please consult a licensed electrician or call Miele's Technical Service Department.

⚠ WARNING:
THIS APPLIANCE MUST BE
GROUNDED

Grounding Instructions

This appliance must be grounded. In the event of an electrical short circuit, grounding reduces the risk of electric shock by providing a path of least resistance. This appliance is equipped with a cord having a grounding wire with a grounding plug. The plug must be plugged into an outlet that is properly installed and grounded.

WARNING - Improper grounding can result in a risk of electric shock.

If there is any doubt, have the electrical system of the house checked by a qualified electrician.

Do not use an extension cord. If the power supply cord is too short, have a qualified electrician install an outlet near the appliance.

Important

The hood comes equipped with a power cord with a NEMA 5-15 molded plug for connection to a 120 VAC, 60 Hz, 15 A power outlet.

Technical data

Total connected load	Weight
DAR 1120, DAR 1220 with DRIB XL or DREB XL 621 W	DAR 1120 with DRIB XL 59.6 lbs (27.1 kg)
DAR 1130, DAR 1230 with DRIB XL or DREB XL 624 W	DAR 1220 with DRIB XL 83.8 lbs (38.1 kg)
DAR 1130, DAR 1230 with DRIB XXL or DREB XXL 809 W	DAR 1130 with DRIB XL 66.2 lbs (30.1 kg)
DAR 1150, DAR 1250 with DRIB XXL or DREB XXL 812 W	DAR 1130 with DRIB XXL 66.7 lbs (30.3 kg)
Overhead lights	DAR 1230 with DRIB XL 97 lbs (44.1 kg)
DAR 1120, DAR 1220 2 x 3 W	DAR 1230 with DRIB XXL 97.5 lbs (44.3 kg)
DAR 1130, DAR 1230 3 x 3 W	DAR 1150 with DRIB XXL 79.9 lbs (36.3 kg)
DAR 1150, DAR 1250 4 x 3 W	DAR 1250 with DRIB XXL 130.5 lbs (59.3 kg)
Power supply voltage 120 V	
Frequency 60 Hz	
Circuit rating 15 A	
Length of power cord . . . 2.5 ft (0.75 m)	

Please have the model and serial number of your appliance available before contacting Technical Service.

The Miele logo is displayed in a bold, white, serif font against a solid black rectangular background.

**U.S.A.
Miele, Inc.**

National Headquarters

9 Independence Way
Princeton, NJ 08540
Phone: 800-843-7231
609-419-9898
Fax: 609-419-4298
www.mieleusa.com

**Technical Service & Support
Nationwide**

Phone: 800-999-1360
Fax: 888-586-8056

TechnicalService@mieleusa.com

**Canada
Miele Limited**

Headquarters and Showroom

161 Four Valley Drive
Vaughan, ON L4K 4V8
Phone: 800-643-5381
905-660-9936
Fax: 905-532-2290
www.miele.ca
professional@miele.ca
(commercial enquiries)

MieleCare National Service

Phone: 800-565-6435
905-532-2272
Fax: 905-532-2292
customercare@miele.ca
(general and technical enquiries)

Germany

Miele & Cie. KG
Carl-Miele-Straße 29
33332 Gütersloh

DAR 1120, 1130, 1150
DAR 1220, 1230, 1250